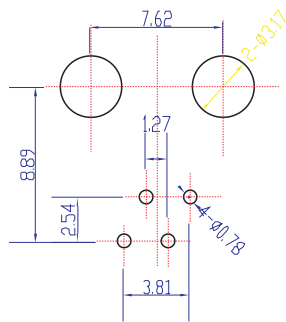
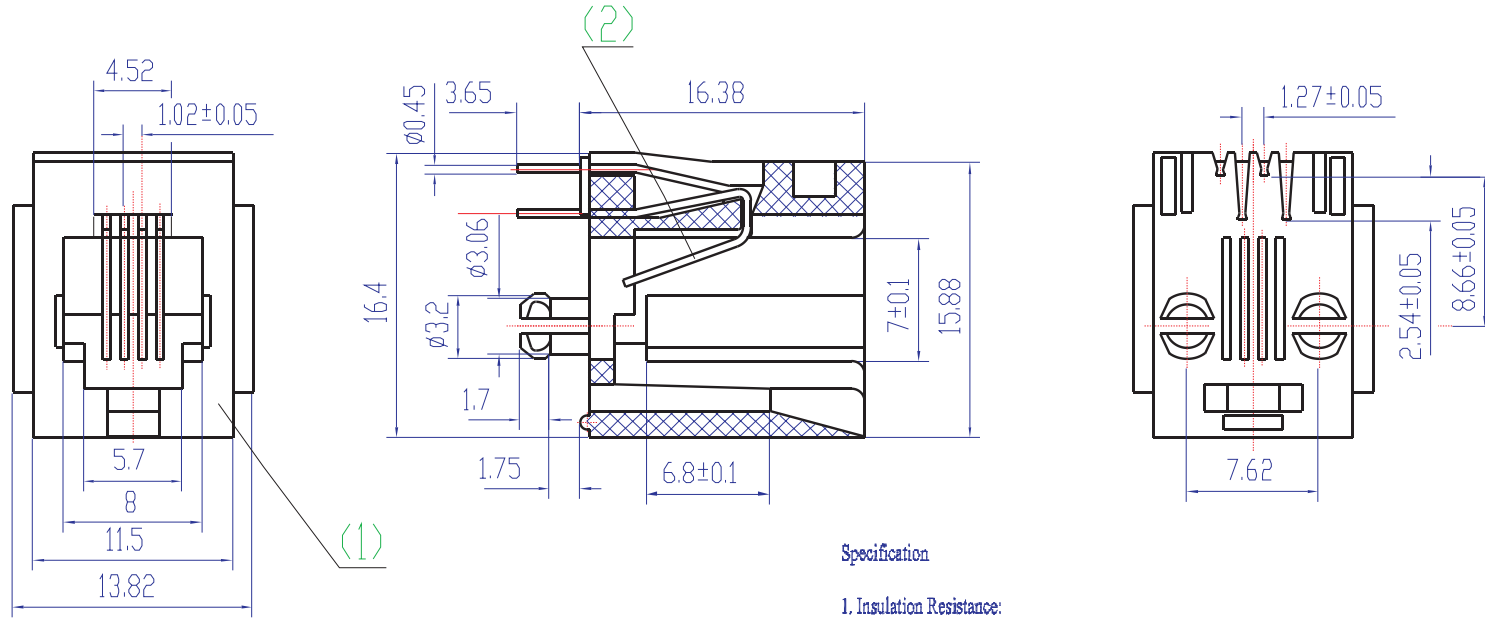


#00886



Specification

1. Insulation Resistance:
1000 Megohms min.
2. Withstand Voltage:
1000V, AC/ minute
3. Durability:
600 mating circles min.
4. Tolerances unless otherwise specified:
0~10: ±0.1; 10~20: ±0.15;
20~30: ±0.2
5. Selective Gold-plating:
(3;6;15;30;50) micro inch

(4)				
(3)				
(2)	pin	4	Phosphor Bronze	Gold-plating over Nickel
(1)	Housing	1	P B T	UL94V0 or 94V2
No.	Part Name	QTY	Material	Remark

